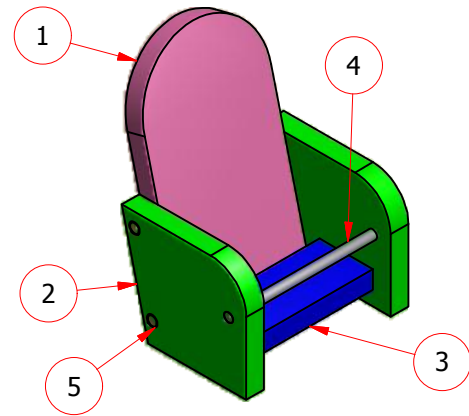
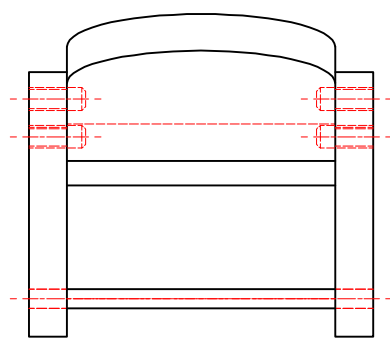
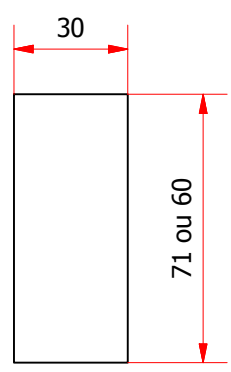
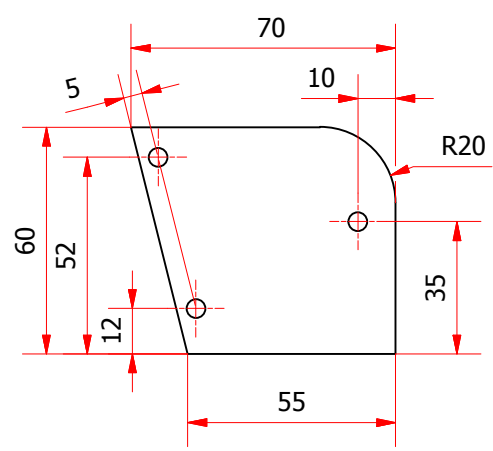
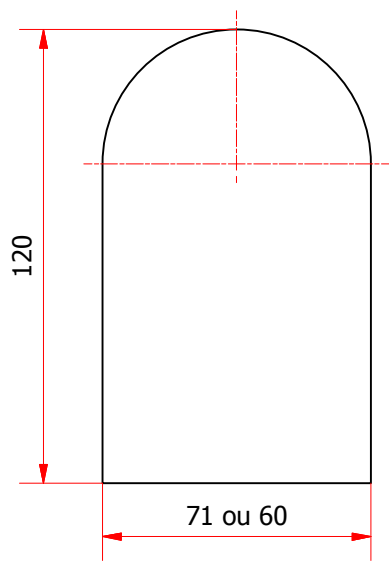


Ech 1 : 2



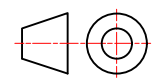
1	DOS	1	Bois (noyer)
2	COTE	2	Bois (noyer)
3	FOND	1	Bois (noyer)
4	BARRE	1	Bois (noyer)
5	TOURILLON 6x30	4	Bois (noyer)
REP	DESIGNATION	NB	MATIERE



SUPPORT DE TELEPHONE

PLAN D'ENSEMBLE ET DE FABRICATION

ATELIER HABITAT SEGPA



Rev : A4

FOLIO DT 1 / 1